



AZTRON 



AZTRONSPORTS.COM

WIND WING
USER MANUAL



Thank you for choosing Aztron.

This Wind Wing was built in accordance with strict quality standards and premium craftsmanship. We hope you thoroughly enjoy this product. Please take the time to read the content in this manual in order to optimize your satisfaction of this product. We believe that an AZTRON Wind Wing offers incomparable value.

We wish you years of enjoyment and a rewarding experience with this AZTRON Wind Wing.

We are Aztron.

RELEASE OF LIABILITY

By assembling or using this Aztron product, you agree that you have read and understood this entire Aztron User Manual including all instructions and warnings contained in the Manual and all printed warnings before using this Aztron product in any way. Also, you agree that you will ensure that any additional or subsequent users of this Aztron product read and understand this entire user manual, including all instruction and warnings contained in the manual and all printed warnings before permitting that person to use this Aztron product.

ASSUMPTION OF RISK:

Wing foiling is a HAZAROUS activity, and the use of any Aztron product involves inherent risks and dangers that may result in serious injury and death of both the user and others. In using this Aztron product and any of its component, you freely agree to assume and accept any known and unknown risks of injury to you and nonuser third parties when using this equipment. The risk, danger and hazards of wing foiling can be significantly reduced by adhering to instructions and warning contained in this User Manual and by using common sense.

WARNING:

Download and read all User Manuals and Installation Guides relating to all your equipment before use, and ensure you always check all parts of your product thoroughly before each use. Failure to do so may result in personal injury or death.

RELEASE AND WAIVER OF CLAIMS:

By using this Aztron product, you hereby agree to the fullest extent permitted by laws as follows:

To waive any and all claims, that you have or may have in the future against Aztron Sports (Shanghai) Co. Ltd. and all related parties resulting from the use of this Aztron product and any of its components.

To release Aztron Sports (Shanghai) Co. Ltd. and all related parties from any and all liability for any loss, damage, injury or expense that any user/s of this product may suffer, or that any user/s next of kin may suffers, as a result of the use this product, due to any cause whatsoever, including but no limited to negligence or breach of contract in this Aztron product and any of its components. In the event of injury, death or incapacity,

all provisions contained herein shall be effective and binding upon your heirs, next of kin, executors, administrators, assignees, and representatives. Aztron Sports (Shanghai) Co. Ltd. and all related parties have not made and expressly deny any oral or written representations together than what is set forth within this Aztron User Manual.

SAFETY WARNINGS

For your safety and the safety of others, Aztron strongly urges you to undergo lessons with a recognized certified instructor prior to using this product. This User Manual is NOT a substitution to lessons.

Wind-winging and foiling involve unavoidable risks so it is important that you familiarize yourself with these risks and take appropriate measure to minimize risks as much as possible. Please familiarize yourself with safety precautions and system related to your equipment. Wind-winging and foiling are high-intensity action sports, Do not participate in these sports if you are physically unfit or suffer from any medical conditions that may put you at further risk.

LIMITED DANGERS TO YOURSELF:

- Be aware of the usual risks associated with water sports such as drowning, rapidly changing conditions, hypothermia, sunburn fatigue, rocks, waves etc.
- Only use this product if you are a strong swimmer.
- Familiarize yourself with local marine sue guidelines and obey all established rules.
- Check weather reports, local prevailing conditions, tides, and currents prior to launching.
- Be aware of the surroundings prior to launching. Do not wind-wining around power lines, power poles, cliffs, groups of people etc. Gusty conditions can make launches unpredictable so be cautious of potential collisions with obstacles.
- Check your equipment thoroughly prior to each use. Do not launch your wing if it is damaged in anyway.
- Always surf, SUP, wind-wing with a partner and/or a supervisor observing you from the land. Always explain your expected course to your supervisor or partner.
- Do NOT surf, SUP, foil or wind-wing in extreme weather and/or rapidly changing conditions.
- Do NOT wind-wing in offshore winds or strong onshore winds.

- Choose the appropriate wind-wing for your body size, ability and the conditions. Do not use a wind-wing size that is beyond your control for the given conditions. If conditions change while you are on the water and you can no longer control your equipment, return to shore. Do not go out in conditions that are beyond your skill level.
- When your wind-wing is not in use, secure it one place with a non-abrasive, heavy object to prevent it from flying away in any sort of conditions.
- Only fly your wind-wing in unobstructed areas.
- If you are under age of 18, you must have your parent or legal guardian read these warning and instructions.
- When wind-winging, always use a safety leash so your wing is contained if dropped.
- We strongly recommend you wear a helmet to avoid injury from your board or other hard objects.
- We strongly recommend you wear a Personal Flotation Device (PFD) or impact vest.
- Do NOT use this product if you are under the influence of drugs, alcohol or prescription medication.
- Note that this is a non-exhaustive list. Use Common sense if other risks arise.

LIMITED DANGERS TO OTHERS:

- Be courteous to other riders and comply with established give way rules.
- Stay clear other water users. Leave sufficient space between you and swimmers, boats and any other water users.
- Stay clear of other beach users.
- Familiarise yourself with local marine use guidelines and obey all established rules.
- Respect wildlife and behave accordingly.
- Note that this is a non-exhaustive list. Use common sense if other risks arise.

LIMITED WARRANTY



Aztron Sports warranties our products to be free from major defects in material or workmanship to the original purchase ONLY, for a period of 365 days* from the date of purchase.

**Warranty period may vary by country of purchase.*

THIS WARRANTY IS SUBJECT TO THE FOLLOWING LIMITATIONS:

1. The warranty is valid only when the warranty registration or warranty card is completed and returned within 30 days of date of purchase.
2. Warranty registration or warranty card must be accompanied by the original purchase receipt in which the name of retailer and date of purchase must be clear and legible.
3. Warranty is only valid when the product is used for its normal intended recreational use and will not cover products used in teaching, rental operations or other commercial purpose.
4. Aztron will make the final warranty determination, which may require inspection and/or photos of the equipment which clearly show defects. If necessary, this information must be sent to your point of purchase, or your country's Aztron distributor, postage prepaid.
5. If Aztron deems the products defective, the warranty only covers the repair or replacement of the defective product. Aztron will not be responsible for any costs, losses or damages incurred as a result of the loss of use of this product.
6. The warranty does not cover damage caused by misuse, abuse, neglect or normal wear or tear including, but not limited to: punctures, riggings with other than Aztron components, damage due to excessive sun exposure or hot temperatures such as inside an unventilated car, damage due to the product being stored in temperatures exceeding 45 degrees Celsius, damage caused by improper handling and storage, damage caused by use in waves or shore breaks, damage caused by using any inappropriate tools or any tool other than those specified within the installation guides and user manuals, damage caused by neglect of the care and maintenance instructions provided within the installation Guides and User Manuals.
7. This warranty is void if any repair, change or modifications has been made without authorization to any part of the equipment.
8. The warranty for any repaired or replaced equipment is good from the date of the original purchase date only.

9. All warranty claims must be accompanied by a digital copy of the original purchase receipt in which the name of the official retailer and date of purchase must be clear and legible.
10. There are no warranties that extend beyond the warranty specified herein.

For any warranty claims please contact your AZTRON retailer. A claim form can be download from the AZTRON website.



WARRANTY REGISTRATION CARD

Date of Purchase: _____ Model: _____

Serial Number: _____

Dealer/Store Name: _____

Dealer/Store Address: _____

State/Province: _____ Zip/Postal Code: _____

Country: _____ Mr. Mrs. Ms.

Surname: _____ Name: _____

Address: _____

State/Province: _____ Zip/Postal Code: _____

Country: _____

Telephone Number: () _____

Email: _____

INDEX

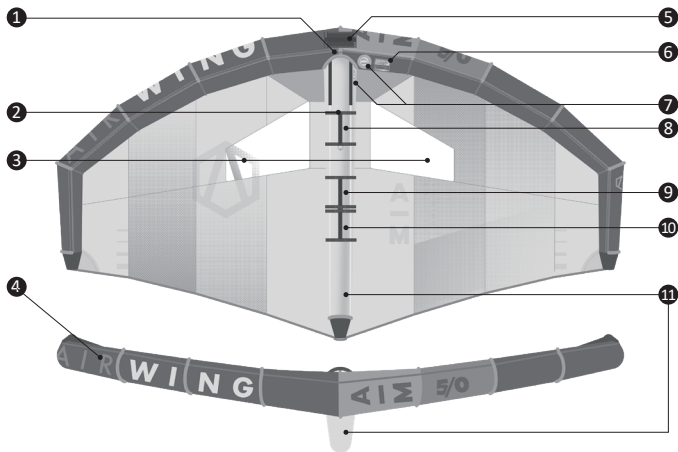
1. Wing Overview	10
2. Set-up	11
2.1 Attaching the Leash	11
2.2 Inflating the Wing	12
2.3 Leaving your Wing Unattended	13
3. Pack Up	13
4. Repairs	14
5. Wing Care & Maintenance	15
6. Serial Number	15

Follow us at @aztrnglobal   

WWW.AZTRONSPORTS.COM

1. WING OVERVIEW

- 1- Leash Attachment Loop
- 2- Harness Line Attachment Loop
- 3- Clear Window Panels
- 4- Leading Edge(LE)
- 5- Front Handle
- 6- Warning Label
- 7- Double Inflation Valves
- 8- Grab Handle 1
- 9- Grab Handle 2
- 10- Grab Handle 3
- 11- Strut

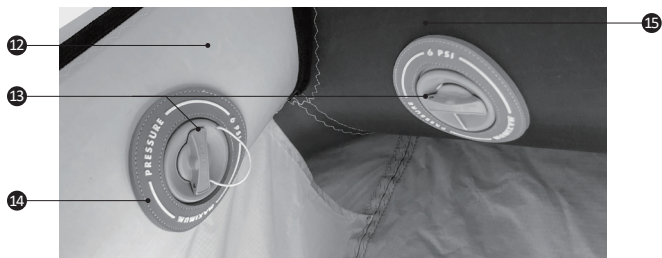


12- Strut Bladder

13- High Pressure Inflation Valves

14- Warning Rubber Badge

15- Leading Edge (LE) Bladder



2. SET-UP

2.1 ATTACHING THE LEASH

A Wrist Leash is supplied with your Aztron Wing. Attach the end of the leash to the leash attachment point on the wing using a loop-to-loop connection.

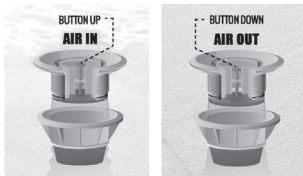


WARNING:

Always use a leash to contain your wing, whether in use or unattended.

2.2 INFLATING THE WING

IMPORTANT: Always inflate your wing using a hand pump with a pressure gauge.



1. Unpack the wing from the Wing Gear Bag. Remove the compression strap, and lay the unrolled wing on a flat surface, free from hard or sharp objects, with the Leading Edge (LE) into the wind and the strut facing up.
2. Open the valve cap.
3. Attach the Pump hose to the valve. Turn it clockwise for a safe connection.
4. The AZTRON Pump is a Double Action Pump. Pump the wing with the Air Screw closed for double stroke action and take the Air Screw out when the double stroke gets too exhausting.
IMPORTANT: Always secure the pump base with your feet while the wing is attached.
5. Inflate to the recommended PSI printed on the LE of the wing, next to the inflation valve. It is common for the LE to inflate before the strut.

WARNING:

If the bladder has moved or twisted inside the strut or LE, it can cause a rupture or bulge when inflated. To prevent this, you must ensure the bladder has even and direct contact with the material surrounding it during inflation, this material is not over or under-tensioned in any area, and there is no twisting or distortion.

WARNING:

Always use a hand pump with a pressure gauge to inflate your wing. Do NOT inflate your wing with an air compressor. Overinflation will damage the wing and void any warranty. Follow PSI guidelines printed on the wing next to the inflation valve.



6. When your wing is fully inflated, remove the pump hose and keep hold of the wing. Ensure the valves are secured tightly to the valve bases on the LE. Then screw the inflation valve cap securely back in place.

2.3 LEAVING YOUR WING UNATTENDED

IMPORTANT: Do NOT leave your wing unattended without securing it.

1. Use your wing leash to secure the wing to a solid unobstructed object such as a pole, with struts facing up, while unattended.
2. Do NOT use rocks, stones, fins, foils, or other sharp/abrasive objects to secure your wing.
3. To protect the longevity of your wing, do not leave it flapping on the beach for an extended period. This may render the warranty void.

WARNING:

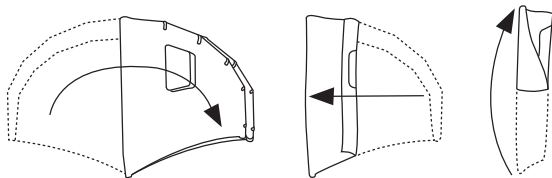
Damage caused by wear and tear of using this product on land is not covered by the warranty.

3. PACK UP

IMPORTANT: Use fresh water to wash any sand or dirt from the window before packing up. Take care if using a cloth to wipe the window as any residual grit could scratch the surface.

IMPORTANT: Allow the canopy and leash to dry completely before packing the wing into its bag. Never store your wing wet or moist in your bag for an extended period. This can cause colour migration, which will render the warrant void.

1. Open the Valve cap and push down the button to release the air.
2. Unscrew the valve anticlockwise to deflate the LE and Strut.
3. Fold the dry wing in half, wing tip to wing tip.
4. Roll both tips together back towards the Strut.
5. Place your hand on the trailing edge side of the Clear Window Panels. Fold the lower part of the rolled wing up toward the LE. Do NOT fold windows.
6. Store in your Aztron Wing Bag.



4. REPAIRS

WARNING:

The self-adhesive Canopy Repair Patches supplied within the Wing Repair Kit offers a temporary repair measure for the canopy material and LE Bladders. Major cuts, tears or leaks will need to be professionally repaired, or the bladder may need to be replaced. Please contact your local Aztron Retailer for support to carry out the repair.

The Wing Repair Kit is in the pocket of the Aztron Wing Bag. The Repair Kit Includes:

- 1 x Canopy Material
- 1 x LE Edge and Strut Reinforced Material
- 3 x Canopy Repair Patches
- 1 x Valve Wrench

TEARS

For major tears in the canopy material, we recommend you consult your Aztron Dealer or local service center.

For major tears in the canopy material, we recommend you consult your Aztron Dealer or local service center.

1. Clean and dry the wing with fresh water in the area requiring repair. Do NOT use acetone, thinner or other mineral oil-based cleaning products as they can damage the fabric, coating, and prints.
2. Allow time for the wing to completely dry. Adhesives will not bond to a damp wing.
3. Lay the wing on a surface that is flat, clean, dry and smooth.
4. Cut or use two pieces of Canopy Repair Patch the same size, ensuring they are big enough to create a 15mm boarder around the entire tear. Round the corners of the patches to reduce the potential for peeling.
5. While the canopy is on a flat surface, place one patch over the affected are. Ensure the area is flat and free from wrinkles.
6. Cover the opposite side of the tear with the second remaining patch in the same way previously mentioned.
7. Make sure the patch is secure, especially at the edges.
8. It is recommended that the patch is given 12 hours to effectively adhere to the canopy surface before use.

5. WING CARE & MAINTANCE

- Always follow instructions to inflate wing in section 2. Set-Up.
- Do NOT leave your wing unattended without securing it to a solid unobstructed object, struts facing up.
- Do NOT use rocks, stones, foils or other abrasive objects to secure your wing.
- Avoid contact with sharp objects including fins/foils, as this may cause damage to the bladders and canopy.
- Inflate to recommended PSI (printed next to inflation valve) using a hand pump with pressure gauge.
- Do NOT use an air compressor to inflate the wing. Over inflation will damage the wing and render warranty void.
- Avoid prolonged wind and excessive UV exposure when your wing is not in use. Flapping of the wind and excessive UV exposure will shorten its lifespan.
- Use fresh water to wash any sand or dirt from the window before packing up. Take care if using cloth to wipe the window as any residual grit could scratch the surface.
- Do NOT use any chemicals for cleaning
- Allow the wing canopy and leash to dry fully before packing it into its bag. Never store your wing wet or moist in your bag for an extended period. This may cause color migration, which will render warranty void.
- Always use the Pack Up method outlined in section 3. Pack Up to deflate, roll and fold your wing. Do NOT fold the windows.
- Store your dry wing in its Aztron Wing Bag.
- Regularly inspect your wing canopy, LE and strut for scratches or damaged and repair holes or small tears ASAP. Small tears can easily become large tears, so better to act early.

6. SERIAL NUMBER

Located on the inner wingtip of the wing.



